

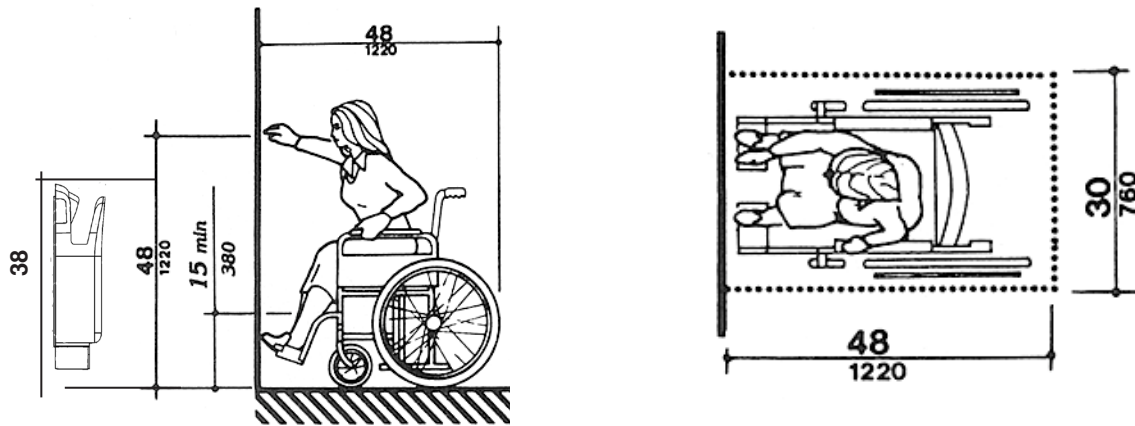
Mitsubishi Electric Jet Towel™

Recommended Installation Height for Americans with Disabilities Act (ADA)

The Jet Towel is the only high speed hand dryer that fulfils ADA regulations with one mounting height. Users in wheelchairs can access the dryer through either the front or side openings with no discomfort. The Jet Towel's elegant design also conforms to ADA regulations concerning protruding edges and walking canes.

According to ADA Regulation 4.2.5 concerning forward reach:

If the clear floor space only allows forward approach to an object, the maximum high forward reach allowed shall be 48 in (1220 mm) (see Fig. 5(a)). The minimum for low forward reach is 15 in (380 mm).



As for the visually impaired, Rule 4.4.1 states:

Objects projecting from walls (for example, telephones) with their leading edges between 27 in and 80 in (685 mm and 2030 mm) above the finished floor shall protrude no more than 4 in (100 mm) into walks, halls, corridors, passageways, or aisles (see Fig. 8(a)). Objects mounted with their leading edges at or below 27 in (685 mm) above the finished floor may protrude any amount (see Fig (a) and (b)).

